

Micro Canal

Connectors
Flexible stainless steel
connectors

Fan unit
Tangential fan

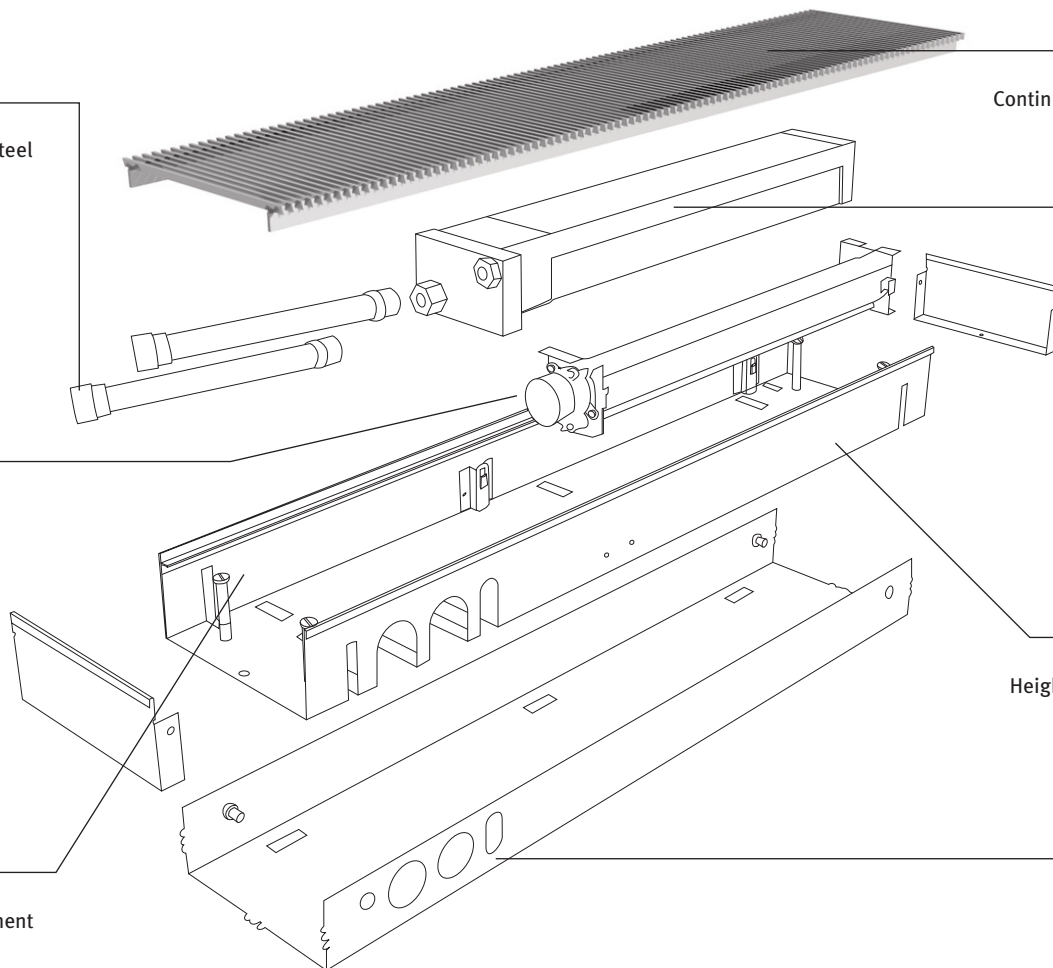
Inner casing
With height adjustment

Grille
Continuous stainless steel grille

Heat exchanger

Adjustable
Height adjustable as standard

Outer casing
With height adjustment



Control

- Automatic control
- Automatic on/off
- Supply 24 volts DC

Options

- Standard assembly/protection block
- Adjustable feet
 - 50mm - 80mm
 - 80mm - 130mm
 - 130mm - 230mm
 - 200mm - 370mm